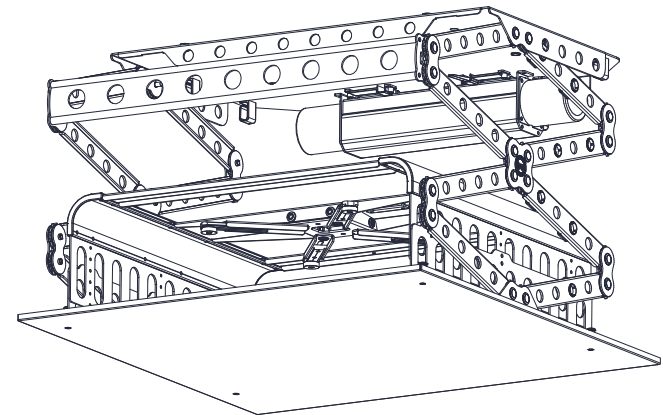


User Manual

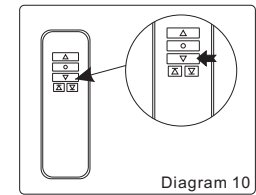
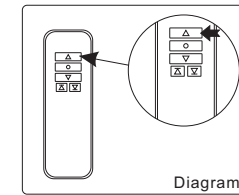
IRON THIN™ (Metal plated Version)

Suitable for
GPSC5006(MA - 1)
GPSC5010(MA - 2)

Grandview[®]

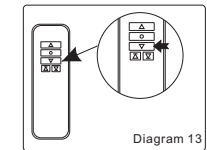
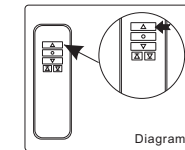
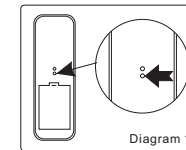
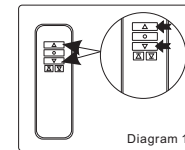


2. Please check diagram 9 and 10, press "up" button to operate the lift to go up, while press "down" button to operate it to go down. If the operation works, it means the remote has paired with the lift.



3. If the pairing is not successful and the lift could not be controlled with remote hand set, please redo the step one and step two again.

* If using electric positioning of remote for setting, please make sure the positioning height is suitable for projector to do projection when the lift extends, and also the base of projector lift would be in the same level with decoration ceiling when the lift retracts.
Note: this should be done by technician!



Instruction for electric positioning of remote:

①、Reset (diagram 11): (Please reset before doing setting for limitation position)
Press on the "up" and "down" buttons at the same time, then the projector lift would be reset and going up. During retraction, projector could not be controlled by remote because it is under status of resetting. The resetting would be completed when the positioning switch is touched.

②、Setting for up limitation (diagram 12-13):
Insert a pin into the Electrical positioning button at the back of remote hand set to make the indicator light on. Then press on "up" button to make projector lift going up until it reaches the desired position. Then press "stop" button. Insert the pin again into the nether hole at the back of remote hand set to make the indicator light off. The projector would go up and down shortly and then stop, which means setting completes.

③、Setting for down limitation (diagram 12-14):
Insert a pin into the Electrical positioning button at the back of remote hand set to make the indicator light on. Then press on "down" button to make projector lift going down until it reaches the desired position. Then press "stop" button. Insert the pin again into the nether hole at the back of remote hand set to make the indicator light off. The projector would go up and down shortly and then stop, which means setting completes.

Problem shoot

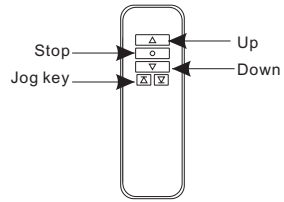
The projector lift is designed for long term use. If any incidental issue occurs, please check list for problem shoot below for solution. If the issue comes out continuously, please contact the distributor.

Abnormal	Reason	Solution
Abnormal after completion of installation	Improper installation of battery in emitter or the battery is out of power	Refer to manual and check positive and negative of battery is placed properly. If still no solve issue, please change new battery.
	Improper connection of power cable	Refer to manual and check the power cable and reconnect it firmly.
Remote no response	Signal is blocked	Reset the projector lift.
Issue with going up and down	Signal cable at rear side is blocked	Manage well the cable or make adjustment for the place of projector lift.

Buttons on remote hand set:

Instruction for buttons

- 1.press up button to operate upward
- 2.press stop button to stop operating
- 3.press down button to operate downward
- 4.jogging function would only be available for projector below 5kg



Front view of remote hand set

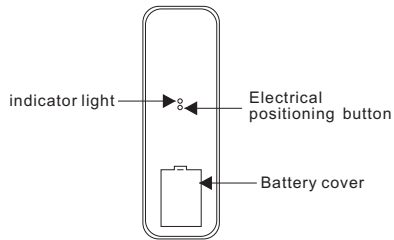
Note

- 1.Working temperature:-20°C to 70°C
- 2.Battery model: AAA battery X 2 pcs
- 3.When emitting signal is weak, please new batteries

How to install battery

When remote hand set emits signal, please battery as below:

- 1.Remove battery cover at the back of remote hand set.
- 2.check the positive pole of battery and install the battery as indicated.
- 3.put back battery cover and make sure it is locked



Rear view of remote hand set

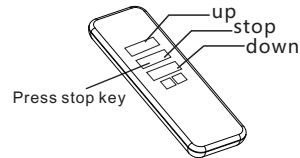
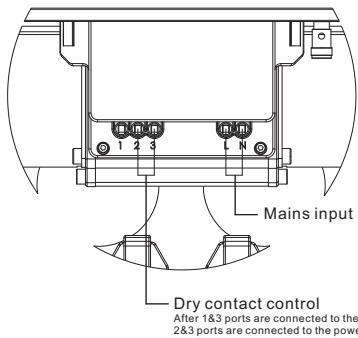


Diagram 8

Pairing of remote hand set with projector lift

It is available with pairing function in this product. When replacing a new remote hand set for first time operation, pairing would be needed. (The remote hand set has been paired with the lift when EX-factory)

1. Have projector lift loaded and connect the power cable. Use metal pin or wire etc, to connect both port 2 and 3 for about 5 seconds until projector lift moves up and down shortly and then it stops, which means it is ready for pairing.

Press both of up an stop buttongs on remote hand set for about 5 secongns and the release both of buttons. If projector lift move up and down shortly again, paring is done. Then try to control projector lift by remote hand set for testing.

Safety notice

Warning :In order to reduce possibility of fire or electric shock, do not expose the product to wherever there is rain or humidity.

- Please read user manual before installation and use to avoid damage.
- Keep out of heat sources such as radiator, heating ,stove or other devices like amplifier.
- Grounded connection.
- Apply genuine parts provided by distributor only.
- Unplug in lightening and stormy weather or not operation in a long time.
- Installed or serviced by technician.
- Keep out of humidity or water.
- AC is on once it is connected to power.
- Please apply approved power cable (3 cores cable)/device interface/plug,and the grounded plug, should conform with national rule.
- Please apply properly rated power cable (3 cores cable)/device interface/plug.If there is inquiry, please consult technician.
- Interruptive electricity device or proper socket nearby the product should be available when wiring so that the power could be cut down in case of defection.
- Installation position should be strong enough to bear 2 times of weight of lift and projector carriage to avoid accident such as falling down.

Notice It is not applicable for any device other than projector

no disassembly Do not disassemble the product

This user manual is written for distributor or installation technician only. Please do not do installation by yourself. The installation should be done by qualified technician according to the user manual.

Parts

Components for MA-1 Iron Thin Lift

- ①—Top board
- ②—Upper Limit controller
- ③—Ceiling cover board
- ④—Motor components
- ⑤—Scissors
- ⑥—Projector holder
- ⑦—Ultra thin Gears

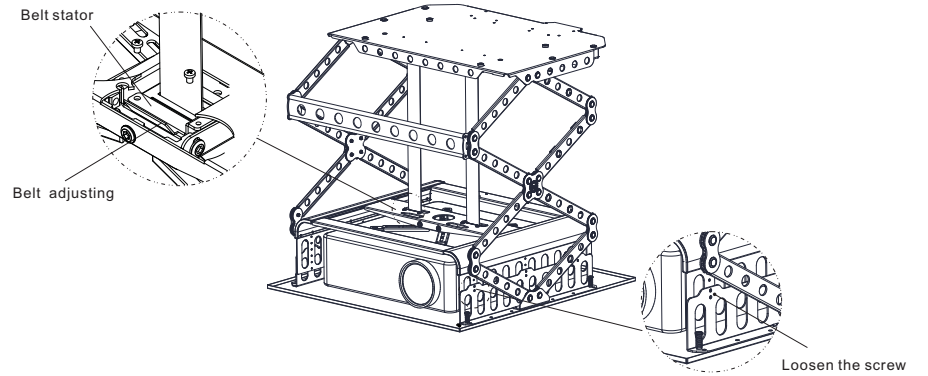
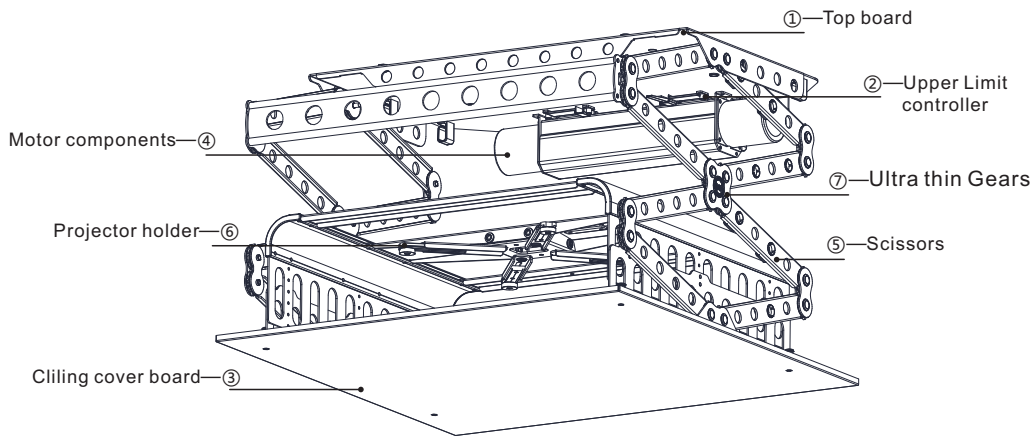


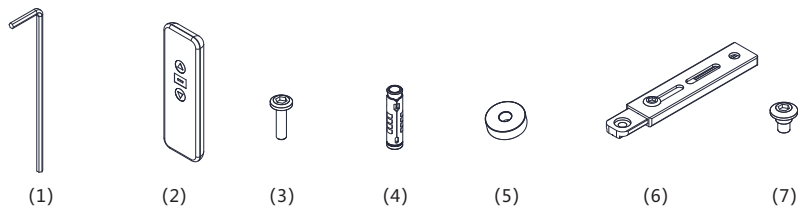
Diagram 6

6. Please check diagram 6, belt stator could be loosen to adjust the belt for reduction of extending (ranging from 0mm to 600mm). In case of big projector, please loosen the screw and adjust suitable height for projector and screw it up. Please check diagram 6-2.

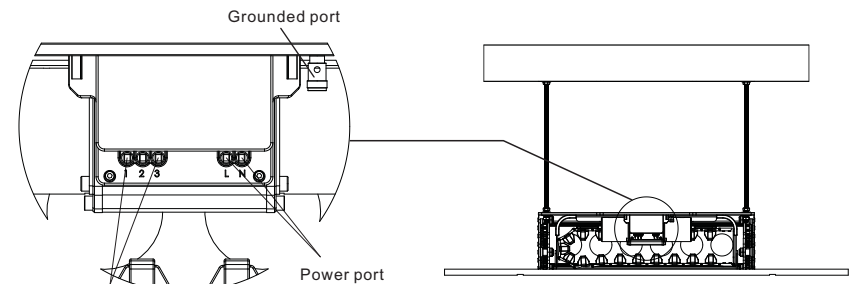
Instruction for application

Connect properly the power cable and signal cable. Please check diagram 7.

配件



- (1) Hex key X 1pcs
- (2) AC097 remote hands set X1PCS
- (3-1) M5X20 screw X4pcs
- (3-2) M4X20 screw X4pcs
- (3-3) M5X30 screw X4pcs
- (3-4) M4X30 screw X4pcs
- (4) M8 pull-rod nut X4pcs
- (5) Filler piece X4pcs
- (6) Model 035 projector holder X4pcs (preinstalled)
- (7) Adjusting screw X4pcs (preinstalled)
- (8) User manual X1pcs



Dry contact control
 After 1&3 ports are connected to the power supply, the hanger rises. After 2&3 ports are connected to the power supply, the hanger will be lowered.

Diagram 7

Installation for projector

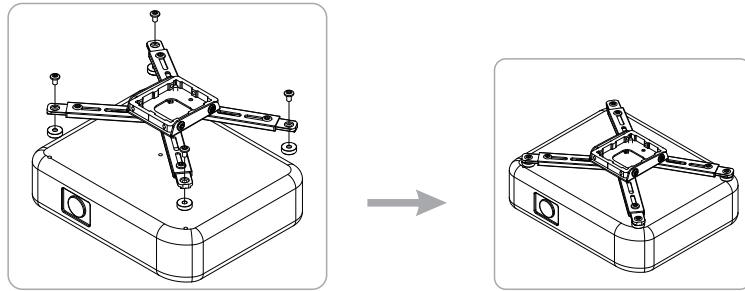


Diagram 4

4. Disassemble the projector holder parts from the lift, and line up the holes of projector holder and projector to screw them up. Please check diagram 4.

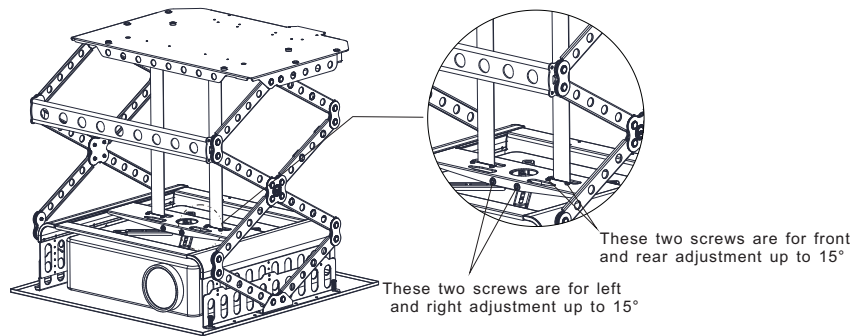


Diagram 5

5. Please see diagram 5. Kindly check if the projector is in level by the front, back, left and right sides. Please make adjustment by the screws indicated above to make the projector in level if there is any lean found. Please be noted that the core of projector could not over lean to front

Notice: Please make sure there is nothing to block the projector lift to go up and down.

Angle adjustment (diagram 5)

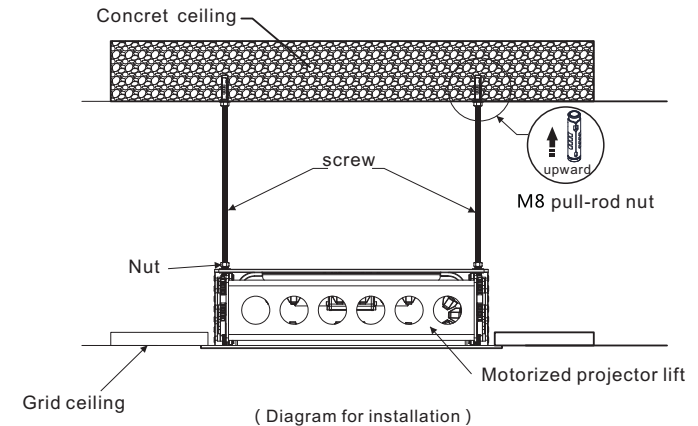
1. When doing adjustment for vertical angle, please see diagram 5 and have the screws loosen. Insert the screw driver into the holes and rotate it until the proper adjustment is done. Then tighten the screws back to position. (Vertically $\pm 15^\circ$)
2. When doing adjustment for horizontal angle, please see diagram 5 and have the screws near cloth belt loosen. Insert the screw driver into the holes and rotate it until the proper adjustment is done. Then tighten the screws back to position. (Horizontally $\pm 15^\circ$)

Installation environment

Installation instruction

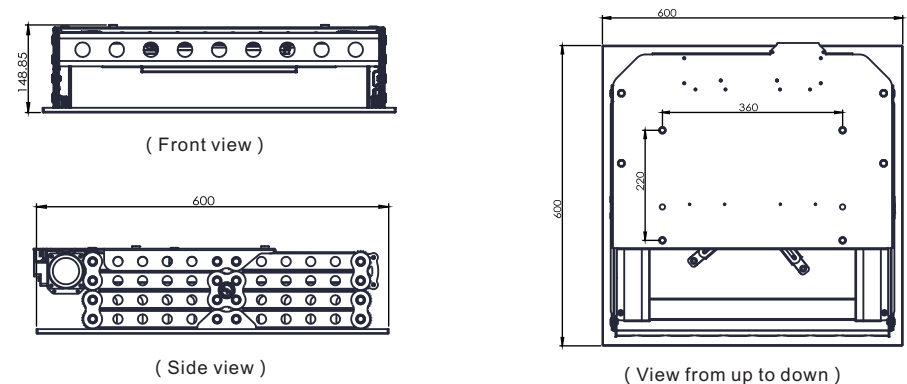
This product is fit to install into all types of ceilings, and grid ceiling is used for the sample installation in the user manual. User would install the product according to different environments. The product should be installed in the most suitable position for projection. Correct installation would make it more convenient and safe during operation of this product. Please check if all the necessary parts/accessories are included when opening the package. Put all the parts/accessories in suitable place for installation by following below.

* Note: for convenience and safety, please read through the installation instruction and select the most suitable installation method according to the installation environment.

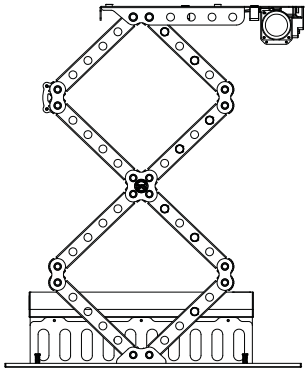


Specification

Dimension:



Overall dimension : W600 x D600x H148.85 mm ;
Installation distance for projector lift : W360 x D220 mm ;
AC 220V 50Hz 170W(0.74A) Weight:18Kg

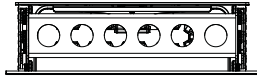


(Diagram for max. height)

Table-1 Unit : mm

Model	Name	Max.height	Max .load (KG)
MA 1	Single X	600	15
MA 2	Double X	1000	15

Level installation: Ceiling cover board should be in the same level of decoration ceiling
 Cover installation: Ceiling cover board should right cover the decoration ceiling
 Suitable for max. size of projector: W480 X L470 X H200 mm



(Diagram for min. height)

* Make calculation for cutting size for ceiling according to diagrams and table above. If ceiling space is higher than min. height of projector lift, please use lengthened bolt for installation application. If ceiling space is lower than min. height of projector lift, it is recommended to cut the ceiling bigger than the reference value. Please select installation method according to situation at site. (Refer to table-1)
 Ceiling cutting size:
 Cover installation method: 570mmX570mm~600mmX600mm
 Level installation method: 600mmX600mm~610mmX610mm

Installation steps

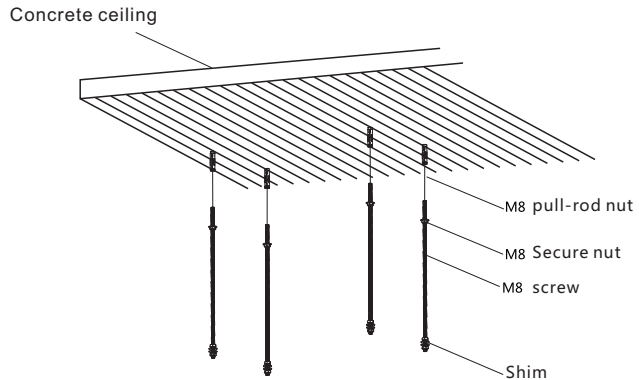


Diagram 1

1. Select installation position (it is advised to install it onto concrete ceiling) and bore holes in position by impact drill. Insert and screw up the M8 pull-rod nut into ceiling and fix tight the M8 screw according to diagram 1. Please be noted that the installation position should be strong enough to bear the weights of projector lift and project to avoid accident of falling.

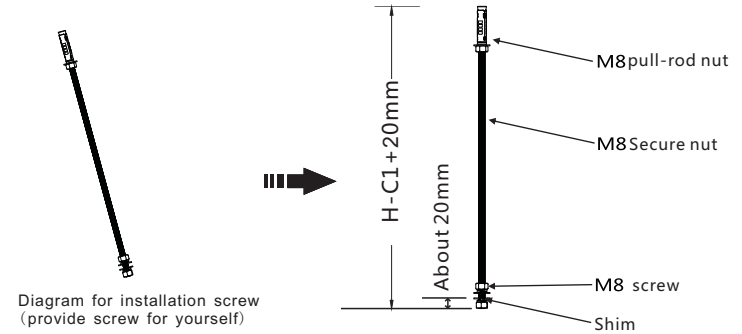


Diagram 2

2. The hanging component is composed by pull-rod nut, screw (M8), nut (M8). Please cut the M8 screw into size according to the following formula and calculate the installation distance accordingly:
 1, $H-C+20$ (used for cover installation)
 2, $H-C+16$ (used for level installation)
 H: distance from bottom of concrete ceiling to top of decoration ceiling
 C: Min. height of projector

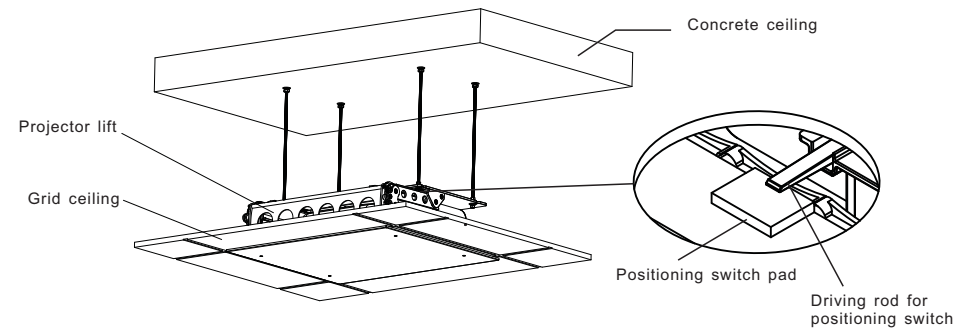


Diagram 3 (general diagram)

3. When doing installation, please make sure align screws with the holes and fix tight with nuts. The ceiling cover board of projector lift should right fit in decoration ceiling cutting to stuff the space seamlessly. Please check diagram 3.
 Note: The driving rod for positioning switch is under the top board of projector lift. When projector lift retracts fully and ceiling cover board touches the decoration ceiling, positioning switch should be touched as indicated in diagram 3, or damage would occur. (in order for convenient installation, please disassemble the ceiling cover board of projector lift, install the projector, and re-assemble the ceiling cover board)